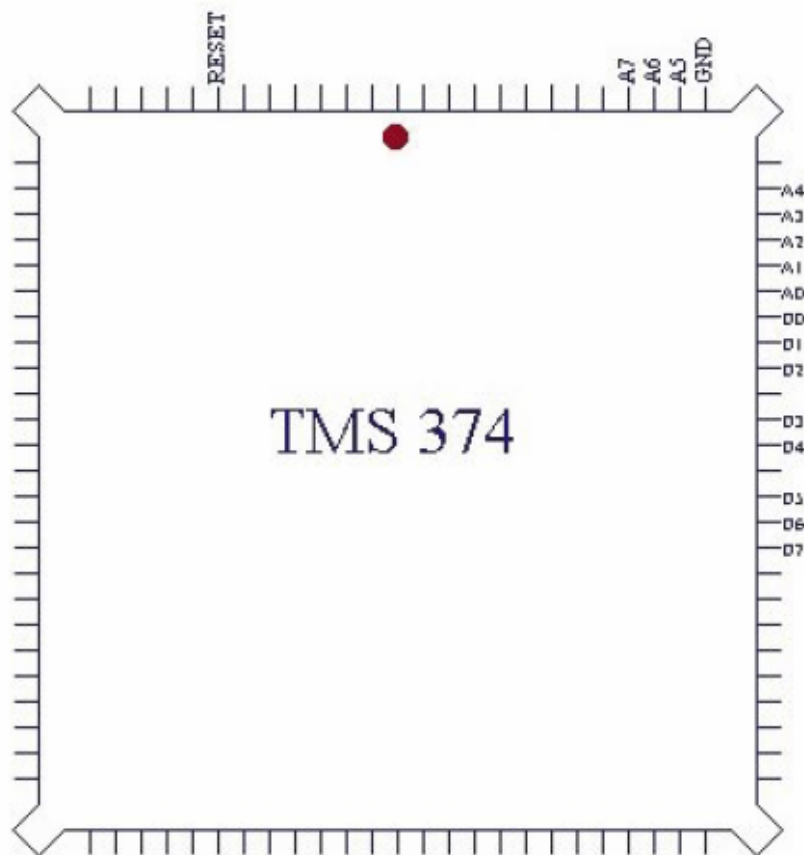


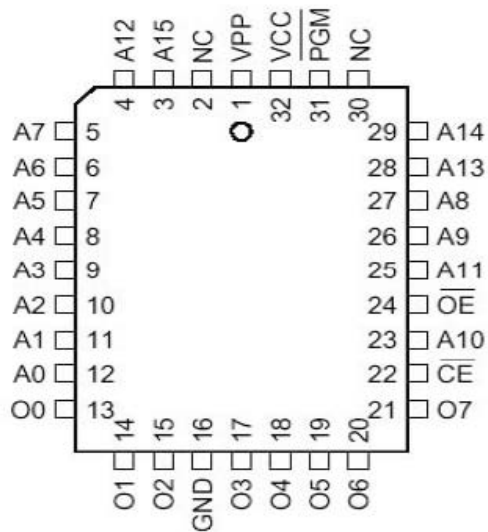
TMS 374 family programming start-up

1. Insert emulation plug into memory socket.
2. Connect MCU RESET pin with programmer's reset line (labor connector).
3. Connect programmer to power supply (green LED should blink three times)
4. Start TMS374.exe
5. Read or write 256 Bytes of EEprom memory.

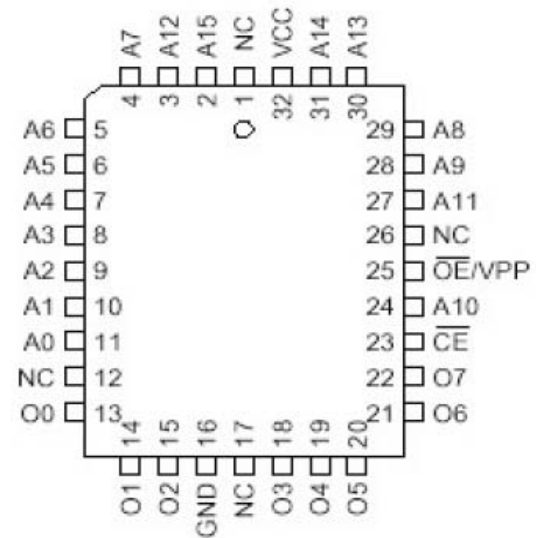


- Use standard RS232C connection cable
- Use 12V DC power supply (+ on pin)
- Baud rate 115200 8N1
- The programmer works without ECU power supply

Memory pinout

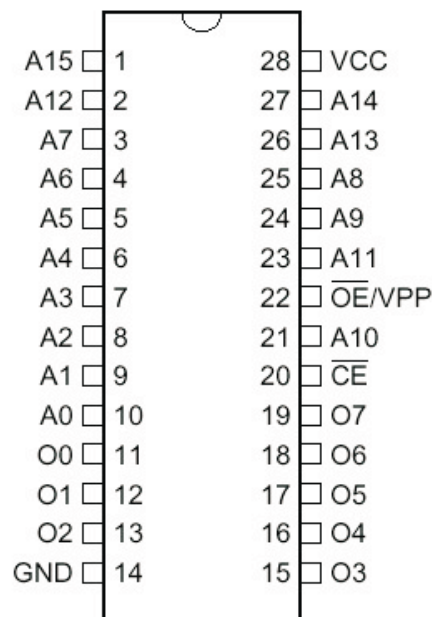


28F512



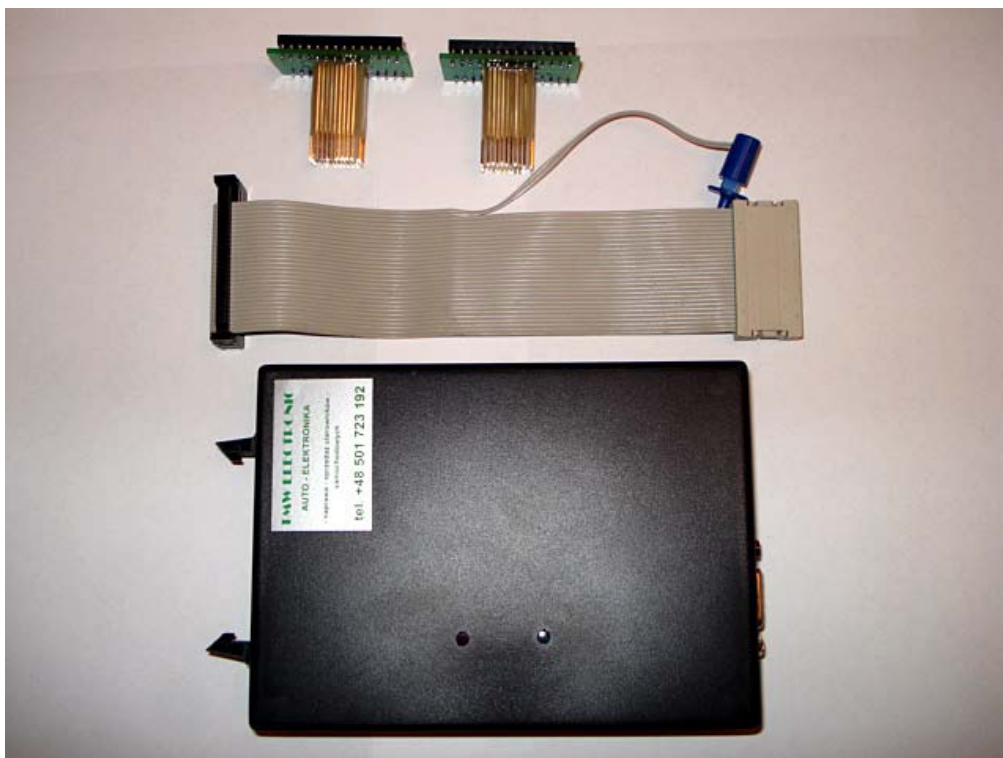
27C512

Emulation plug pinout

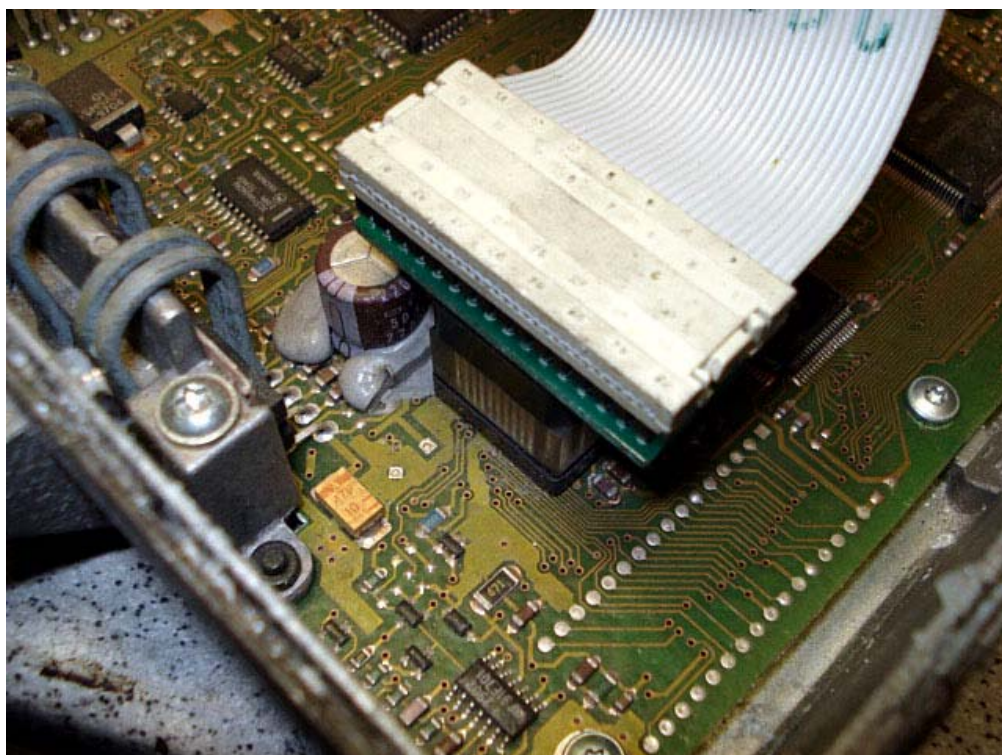


Contents of the programmer kit

- TMS374 programmer
- Connection cable with emulation plug
- 28F512 adapter (for memory sockets)
- 27C512 adapter (for memory sockets)



TMS374 Programmer Kit



In system programming